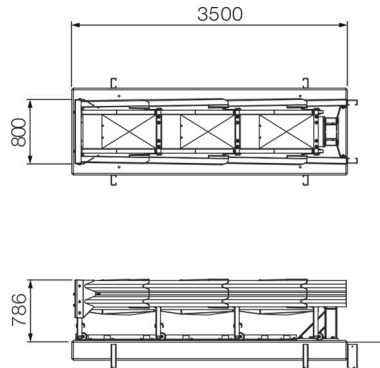


CrashGuard P800-3S



PRODUCT DATA

System shape
parallel

System foundation
anchored

System height (m)
0,79

System length (m)
3,50

System width nose (m)
0,80

System width back (m)
0,80