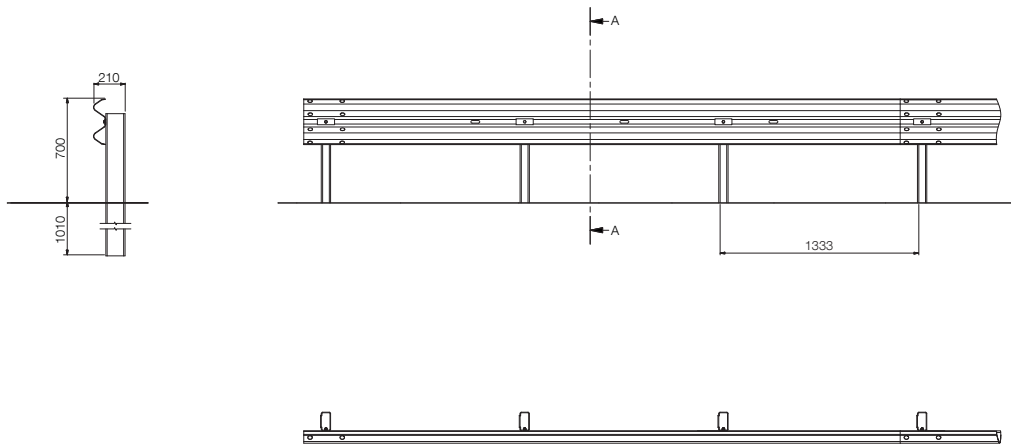


MegaRail[®] ec 3.3

H1 · W3 · A



CE



TECHNICAL SPECIFICATIONS

Normalised working width (m)	0.90
Class of normalised working width	W3
Normalised dynamic deflection (m)	0.70
Construction width (m)	0.21
Construction height (m)	0.70
Distance between posts (m)	1.33
Tested system foundation / installation	rammed
Test length (m)	56.0